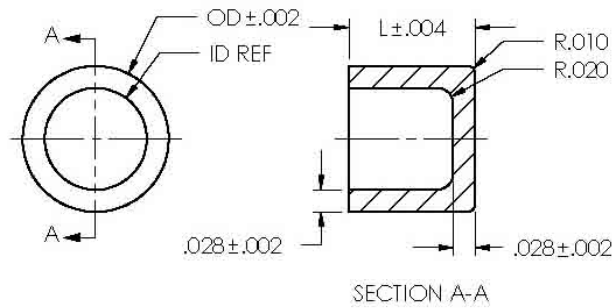


Wamco FP-series NVG polymeric ring filters for incandescent and LEDs



Ordering information

Part number: FP-XXXXD-YYY
(Table 1) (Filter)

Table 1

XXXX	O.D.	I.D.	L
2412	0.242	0.186	0.125
2015	0.200	0.144	0.15
1816	0.185	0.128	0.16

Custom sizes available

Filter*	WA1	(white LED to Green A)
	WB1	(white LED to Green B)
	GA1	(incandescent to Green A)
	GB1	(white LED to Green B) / (incandescent to Green B)
	GC1	(green LED to Comanche Green)

In-stock and available for immediate delivery:

FP-2412D-WA1, -WB1, -GB1

FP-2015D-WA1, -WB1, -GA1, -GB1, -GC1

FP-1816D-WB1, -GA1

*Refer to individual -YYY data sheets for filter characteristics and other filters available.

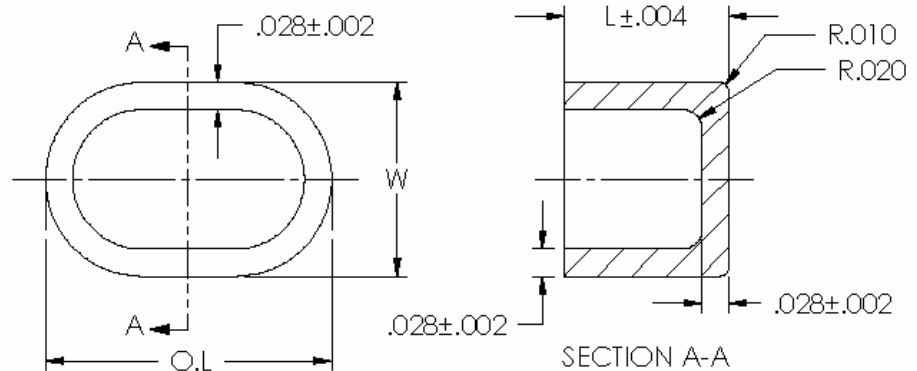
FP-series NVG polymeric ring filters rev C



Wamco
Aerospace and automotive lighting

wamcoinc.com
714.545.5560

Wamco FP-series NVG polymeric "bathtub" filters for incandescent and LEDs



Ordering information

Part number: FP-XXXXBD-YYY
(Table 1) (Filter)

Table 1

XXXX	O.L.	W	L
2616	0.255	0.200	0.159
3017	0.295	0.200	0.170

Custom sizes available

Filter* WA1 (white LED to Green A)
 WB1 (white LED to Green B)
 GA1 (incandescent to Green A)
 GB1 (white LED to Green B) / (incandescent to Green B)

In-stock and available for immediate delivery:

FP-2616BD-WA1, -WB1
 FP-3017BD-WA1, -WB1

* Refer to individual -YYY data sheets for filter characteristics and other filters available.

FP-series NVG polymeric bathtub filters rev C



Wamco
Aerospace and automotive lighting

wamcoinc.com
714.545.5560